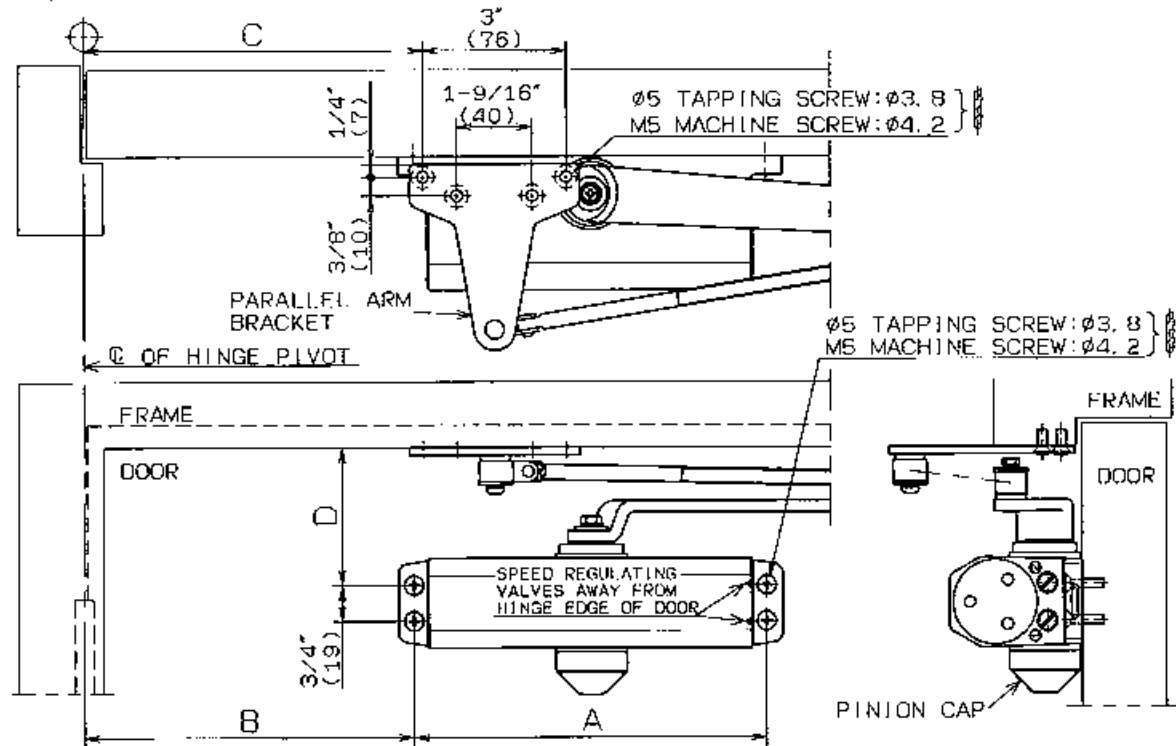
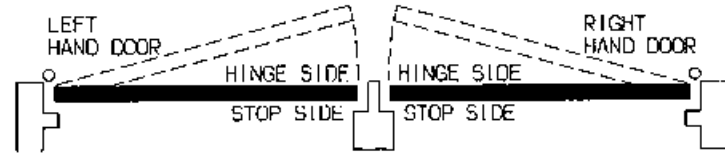


INSTALLATION INSTRUCTIONS

PARALLEL ARM APPLICATION

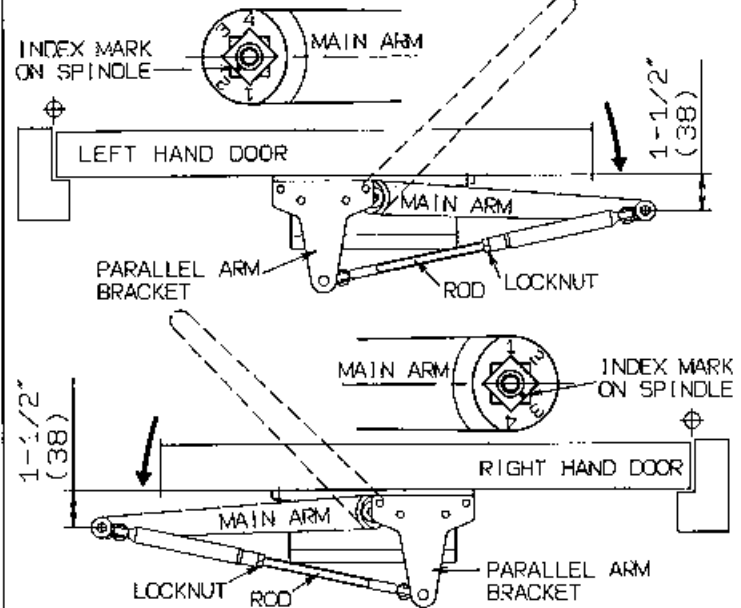
CLOSER MOUNTED ON STOP SIDE OF DOOR

LEFT HAND DOOR ILLUSTRATED. SAME DIMENSIONS APPLY FOR RIGHT HAND DOOR—MEASURED FROM HINGE C.



- A**
1. MARK LOCATION OF ATTACHING SCREWS ON DOOR AND FRAME AS SHOWN ABOVE. DRILL SIZES TO BE USED AS SHOWN.
 2. ATTACH CLOSER TO DOOR WITH SPEED REGULATING VALVES AWAY FROM HINGE.

- B**
- ASSEMBLE MAIN ARM TO CLOSER WITH INDEX MARK ON END OF SPINDLE 45° FROM AXIS OF ARM, AS ILLUSTRATED BELOW, USING A WRENCH ON THE BOTTOM SPINDLE TO ROTATE SPINDLE INTO POSITION. ATTACH ARM TO SPINDLE WITH WASHER AND SCREW.



- C**
- PARALLEL ARM BRACKET FOR PARALLEL ARM APPLICATION REMOVE FOOT BRACKET AND REPLACE WITH PARALLEL ARM BRACKET USING SCREW AND WASHER PROVIDED.

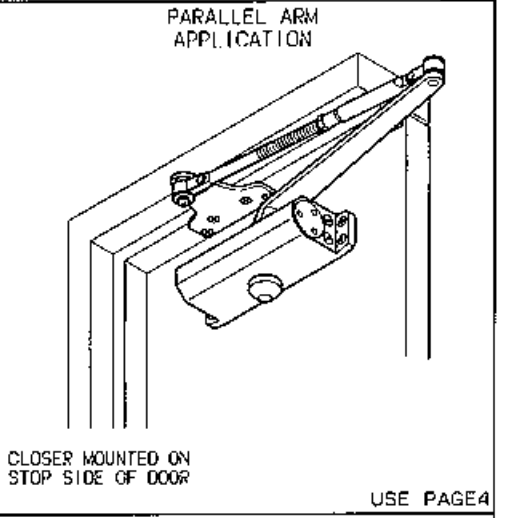
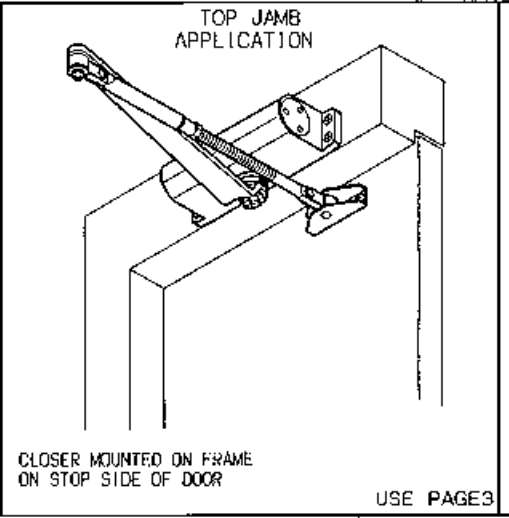
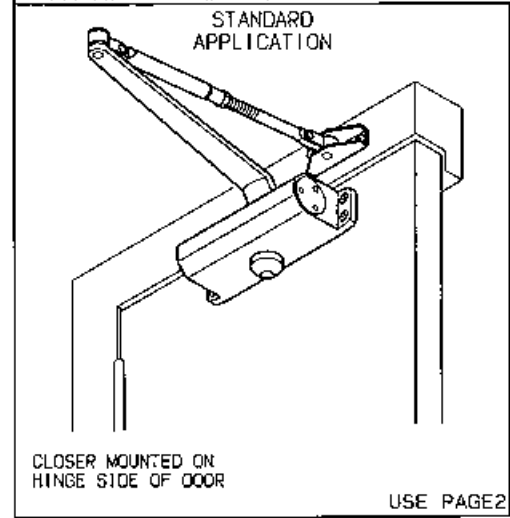
- D**
- ADJUST AND REGULATE DOOR CLOSER AS DIRECTED AT PAGE 1 FOR SPEED AND BACKCHECK.

RYOBI LIMITED
5-2-8 Toshima, Kita-ku TOKYO,
114-8518, JAPAN

RYOBI DOOR CLOSER

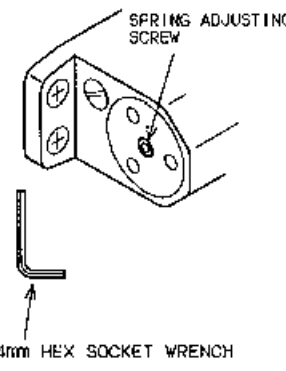
8000 INSTALLATION INSTRUCTIONS
NO HOLD-OPEN

SELECT PROPER APPLICATION FROM ILLUSTRATIONS BELOW. THEN FOLLOW INSTALLATION INSTRUCTIONS ON GIVEN PAGE.



ADJUST SPRING POWER ACCORDING TO CHART (ONLY "V" MODELS)

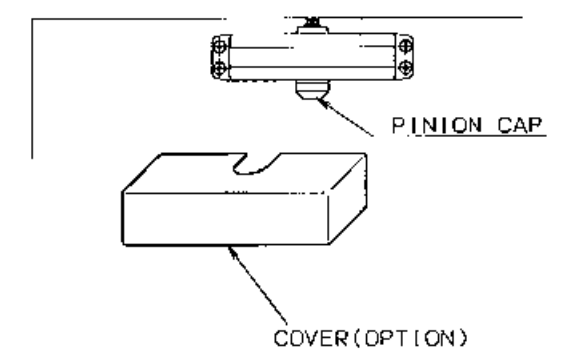
ADJUST SPRING POWER FOR DOOR SIZE AS INDICATED IN CHART. TO INCREASE CLOSING POWER, TURN SPRING ADJUSTING SCREW CLOCKWISE. MAXIMUM ADJUSTMENT IS APPROXIMATELY 20 TURNS.



Closer Size	Turns of Spring Adjusting Screw				CLOSING FORCE
	from Preset	from Minimum	from Preset	from Minimum	
1	-1	0	-1	5	10N·m
2	5	6	5	11	15N·m
3	11	12	11	17	23N·m
4	17	18	---	---	30N·m

8000V: Factory preset at size 1.
8001V: Factory preset at size 1.

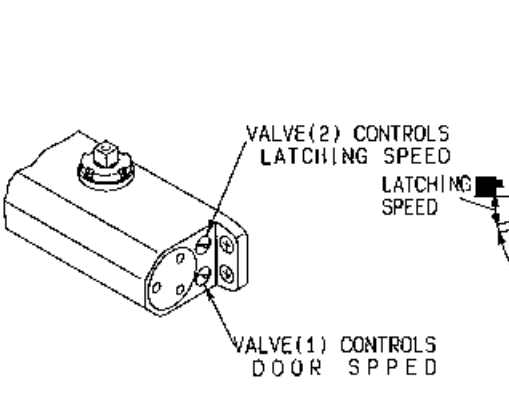
INSTALL PINION CAP AND COVER AS FOLLOWS



FINAL ADJUSTMENT AND REGULATING PROCEDURES

REGULATING DOOR SPEED AND LATCHING SPEED

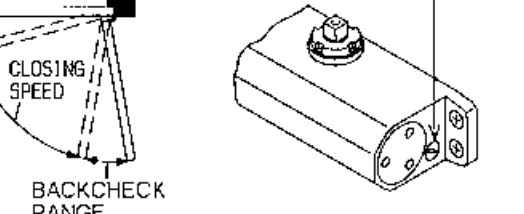
TURN SPEED REGULATING SCREW CLOCKWISE TO SLOW DOWN OR COUNTERCLOCKWISE TO SPEED UP DOOR MOVEMENT.



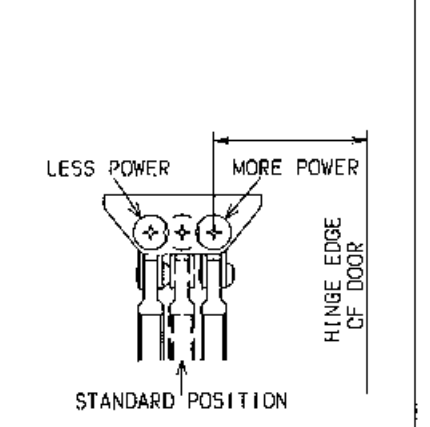
REGULATING BACKCHECK (ONLY "BC" MODELS)

THE INTENSITY OF BACKCHECK ACTION IS REGULATED BY VALVE SHOWN. TURN CLOCKWISE TO INCREASE OR COUNTERCLOCKWISE TO DECREASE BACKCHECK.

CAUTION: Set valve for a slight cushioning effect. It is damaging to the closer if the checking action is too abrupt. Backcheck should never be used in lieu of a door stop.



ADJUSTING FOOT FOR ADDITIONAL CLOSING POWER



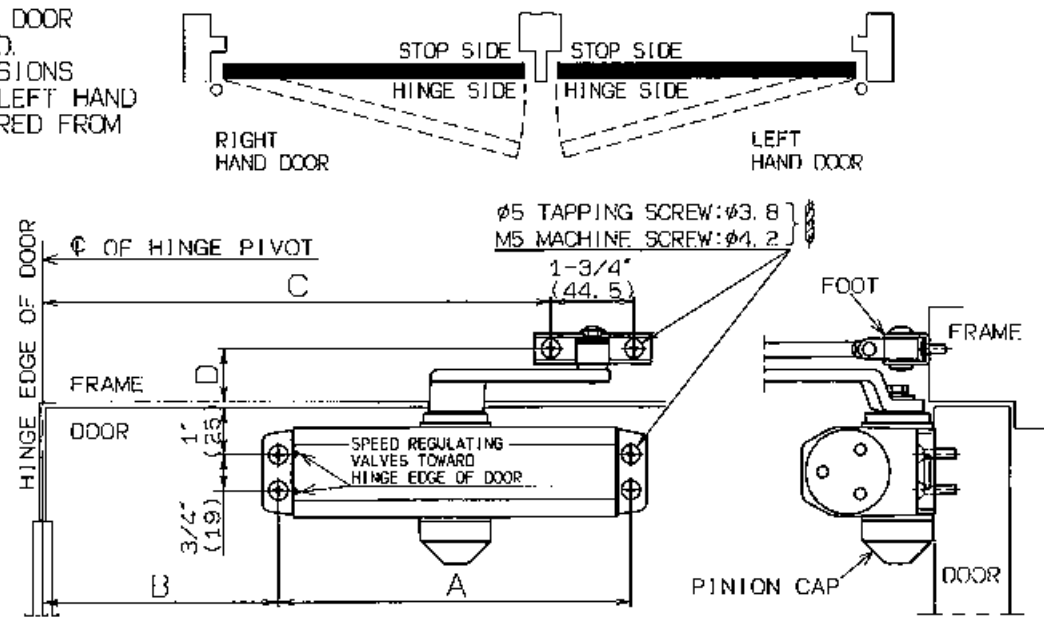
CAUTION: Take care when adjusting valves to ensure that they are not wound counterclockwise too far as this could disengage them and allow fluid to be lost.

INSTALLATION INSTRUCTIONS

STANDARD APPLICATION

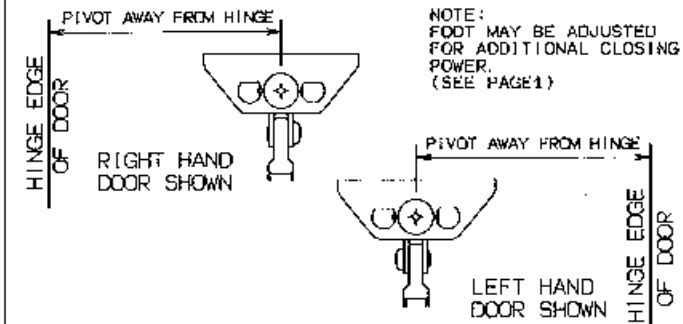
CLOSER MOUNTED ON HINGE SIDE OF DOOR

RIGHT HAND DOOR ILLUSTRATED. SAME DIMENSIONS APPLY FOR LEFT HAND DOOR—MEASURED FROM HINGE C.

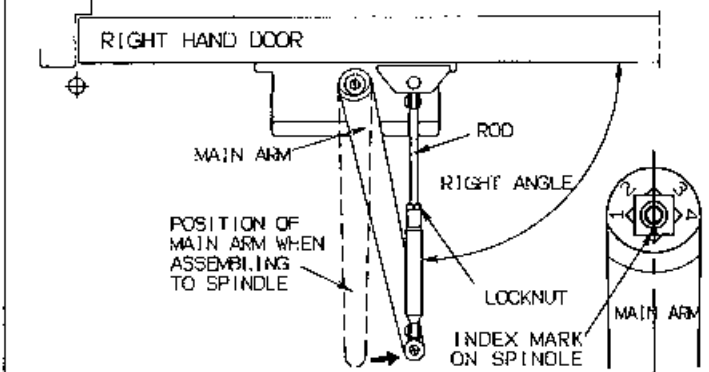


- A** 1. MARK LOCATION OF ATTACHING SCREWS ON DOOR AND FRAME AS SHOWN ABOVE. DRILL SIZES TO BE USED AS SHOWN.
2. ATTACH CLOSER TO DOOR WITH SPEED REGULATING VALVES TOWARD HINGE.

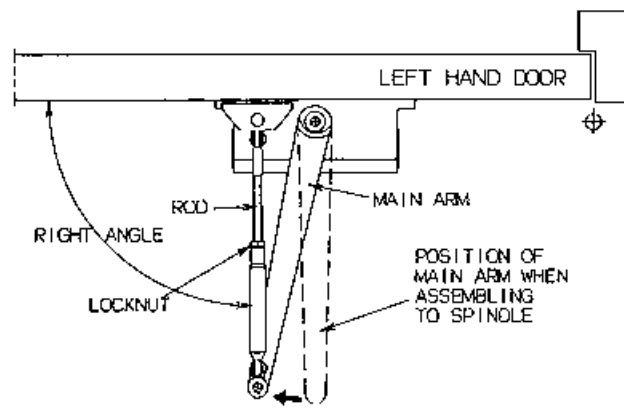
- B** ATTACH FOOT TO FRAME WITH PIVOT AWAY FROM HINGE AS ILLUSTRATED BELOW.



- C** ASSEMBLE MAIN ARM TO CLOSER WITH INDEX MARK ON SPINDLE ALIGNED WITH AXIS OF ARM AS ILLUSTRATED BELOW. ATTACH ARM WITH WASHER AND SCREW. TIGHTEN SECURELY USING SPANNER.



- D** TIGHTEN LOCKNUT SECURELY WHEN ROD IS AT RIGHT ANGLE TO DOOR. SEE ILLUSTRATION BELOW.



- SECURE MAIN ARM TO FRAME ARM AT ELBOW WITH SCREW AND TIGHTEN.

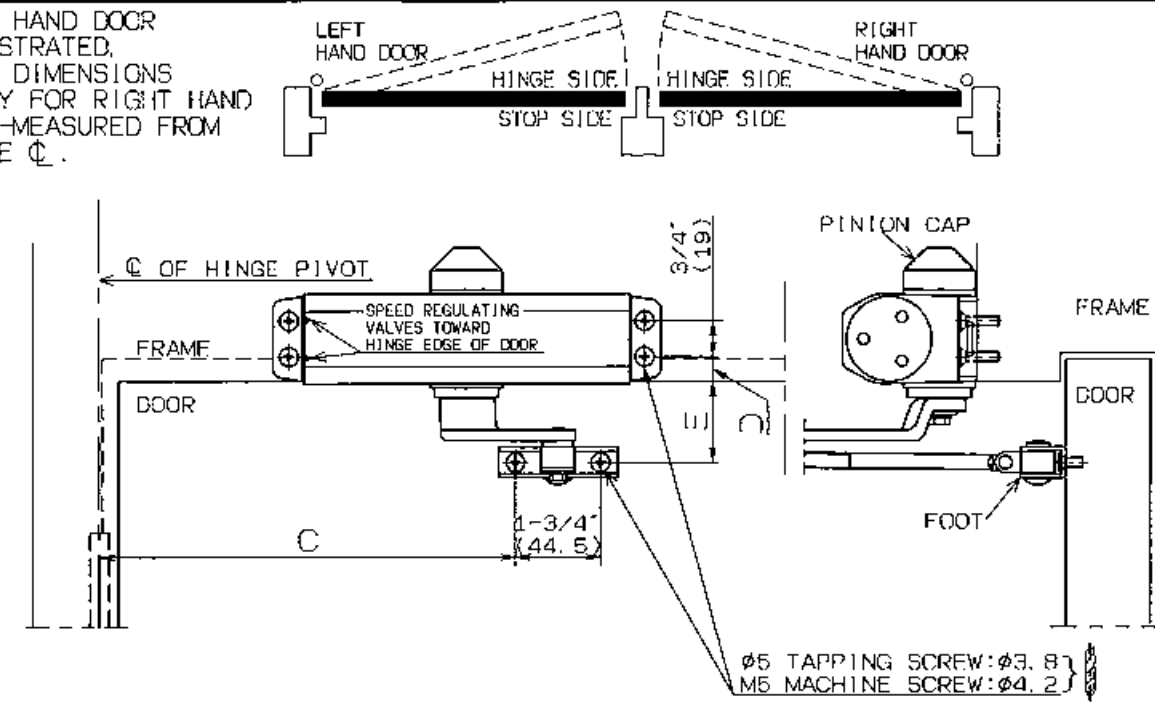
- E** ADJUST AND REGULATE DOOR CLOSER AS DIRECTED AT PAGE 1 FOR SPEED AND BACKCHECK.

INSTALLATION INSTRUCTIONS

TOP JAMB APPLICATION

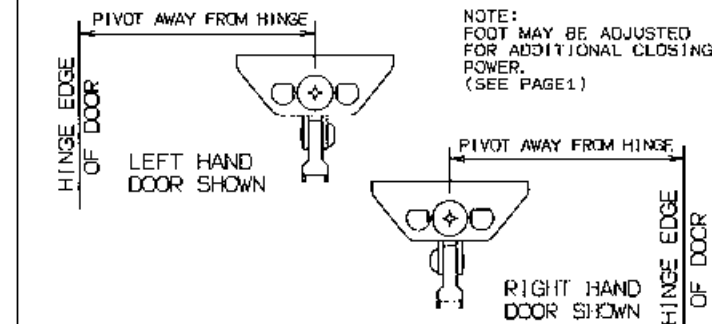
CLOSER MOUNTED ON FRAME ON STOP SIDE OF DOOR

LEFT HAND DOOR ILLUSTRATED. SAME DIMENSIONS APPLY FOR RIGHT HAND DOOR—MEASURED FROM HINGE C.

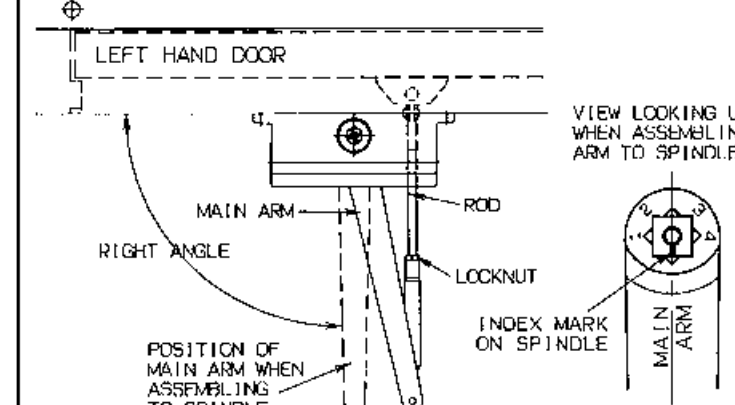


- A** 1. MARK LOCATION OF ATTACHING SCREW ON DOOR AND FRAME AS SHOWN ABOVE. DRILL SIZES TO BE USED AS SHOWN.
2. ATTACH CLOSER TO FRAME WITH SPEED REGULATING VALVES TOWARD HINGE.

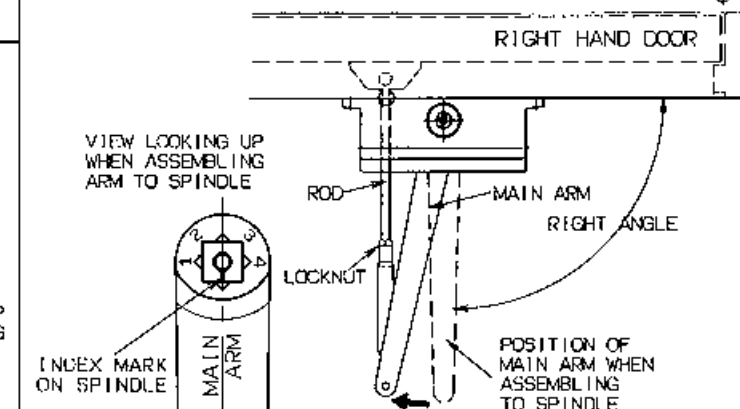
- B** ATTACH FOOT TO FRAME WITH PIVOT AWAY FROM HINGE AS ILLUSTRATED BELOW.



- C** ASSEMBLE MAIN ARM TO CLOSER WITH INDEX MARK ON SPINDLE ALIGNED WITH AXIS OF ARM AS ILLUSTRATED BELOW. ATTACH ARM WITH WASHER AND SCREW. TIGHTEN SECURELY USING SPANNER.



- D** TIGHTEN LOCKNUT SECURELY WHEN ROD IS AT RIGHT ANGLE TO DOOR. SEE ILLUSTRATION BELOW.



- SECURE MAIN ARM TO FRAME ARM AT ELBOW WITH SCREW AND TIGHTEN.

- E** ADJUST AND REGULATE DOOR CLOSER AS DIRECTED AT PAGE 1 FOR SPEED AND BACKCHECK.

INSTALLING DIMENSIONS (mm)

MODELS	A	B	C	D	CLOSING FORCE
8001	6-1/2" (162)	4-3/4" (120)	8-7/8" (225)	7/8" (22)	9N·m
8002	7-3/8" (188)	4-7/8" (125)	10-9/16" (270)	1-1/16" (28)	15N·m
8003	8-3/16" (208)	4-7/8" (125)	10-9/16" (270)	1-1/16" (28)	22N·m
8004					32N·m
8005					43N·m
8006	9-1/16" (230)	4-7/8" (125)	10-9/16" (270)	1-1/16" (28)	50N·m
8000V					SEE PAGE 1
8001V					SEE PAGE 1

INSTALLING DIMENSIONS (mm)

MODELS	A	B	C	D	E
8001	6-1/2" (162)	4" (100)	8-1/16" (205)	7/16" (11)	1-3/16" (39)
8002	7-3/8" (188)	4" (100)	8-3/4" (220)	1/2" (13)	1-11/16" (43)
8003	8-3/16" (208)	4" (100)	8-3/4" (220)	1/2" (13)	1-11/16" (43)
8004					
8005					
8006	9-1/16" (230)	4" (100)	8-3/4" (220)	1/2" (13)	1-11/16" (43)
8000V					
8001V					